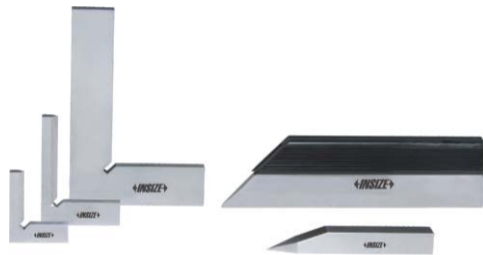
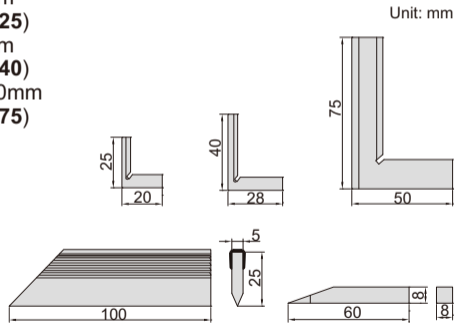


# SQUARE SET

■ Includes:

- 90° tool maker square 25x20mm  
DIN875 grade 00 (code **4794-025**)
- 90° tool maker square 40x28mm  
DIN875 grade 00 (code **4794-040**)
- 90° beveled edge square 75x50mm  
DIN875 grade 00 (code **4790-075**)
- straight edge 100mm DIN874  
(code **4700-100**)
- scribe

■ Made of hardened stainless steel



**4702-1**

Code

**4702-1**